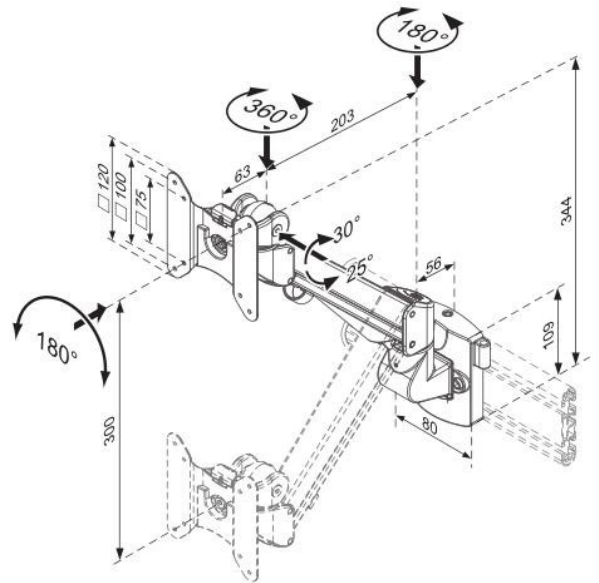


# Ascend Gas Arm



## Product Specification

Product code	CMS2087 – BLACK
*Weight capacity	From 3 - 8 kg
Height adjustment range	300mm
Max forward extension	266mm
VESA	75mm & 100mm VESA compliant
Movement	Height adjustment, tilt, swivel, rotation and reach

\*Capacity may be reduced if monitor size is greater than 26" or depth is greater than 5.5cm

## Additional Information

Gas assisted universal tool rail mounted monitor arm

Integral cable management

Lockable quick release VESA function

180 anti rotation feature

Over 90% of the Aluminium Alloy content is recycled



**Ergo**  
01235 773373  
www.ergoldtd.co.uk  
sales@ergoldtd.co.uk